

# User Guide

## Adjusting the mount arm:

1. Loosen locking knob (as shown in figure 1). **Do Not Remove.** Two full turns should loosen the pivot lock enough to allow the arm to rotate. (See Installation Guide for details).
2. Maneuver arm to the desired angle, and slide mount onto plate and confirm arm angle will work at the selected angle.
3. Once angle has been set, retightening locking knob will lock the arm into position.

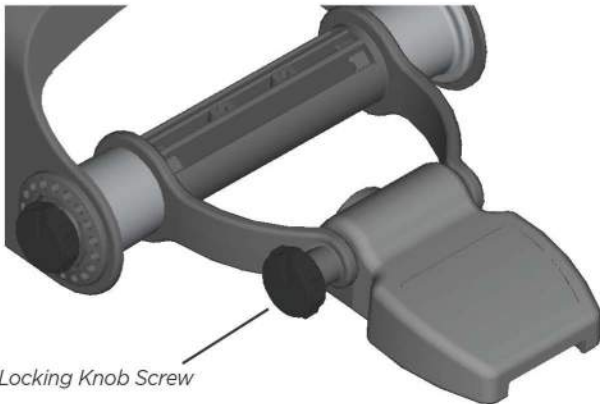


Figure 1

## Adjusting the sunshade:

1. Loosen adjustment knob on either side of shade (See Figure 2).
2. With mount locked onto plate and mount arm in selected position, gently pull shade sides apart until shade is free of positioning pins.
3. Rotate shade to desired angle, release the shade sides and confirm positioning pins are fully engaged with shade.
4. Tighten knobs to lock shade in place.



Figure 2



Geotigg Distribution, LLC  
www.farklemount.com  
info@farklemount.com

Unsure about installing the *Farkle Mount* yourself?  
No problem. Have your local dealer install it for you.

## Terms and Conditions

The following terms apply to the installation and use of this product:

- One (1) year limited warranty on defects in materials and workmanship. Warranty limited to full replacement of **Farkle Mount**.
- No returns accepted after 90 days from original date of purchase without written authorization from manufacturer.
- Manufacturer not responsible for damage to device(s) attached to **Farkle Mount**.
- Manufacturer not responsible for damage to vehicle on which **Farkle Mount** may be installed.
- Manufacturer not responsible for losses caused by the improper installation of **Farkle Mount**.
- Manufacturer not responsible for losses caused by the improper mounting of devices to **Farkle Mount**.
- Manufacturer not responsible for the unsafe use of any vehicle on which **Farkle Mount** may be installed.
- Rider agrees to abide by all laws and generally accepted rules on the road at all times.

# About The Farkle Mount



## User and Installation GUIDE

### Understanding the mount plate:

The mount plate was designed to securely anchor the **Farkle Mount** and provide a means for preventing the **Farkle Mount** from being dislodged by road vibrations. As such, it is critical that the plate be mounted to a surface that is, itself, securely anchored to the vehicle on which the **Farkle Mount** is to be used.

### Guidelines for selecting a location for installing the mount plate.

- Surface to which plate will be installed should not move when properly connected to the vehicle.
- Surface to which plate will be installed should be made of ridged material and should not flex or deflect when pressed on.
- Placement of mount plate should allow **Farkle Mount** to slid on & off without obstruction, once properly adjusted.
- Placement of mount plate should provide some protection from wind and weather, generally provided by windscreen or fairing.

### Mount plate installation:

NOTE: Whenever possible, it is best to remove the part of the vehicle on which you will be installing the mount plate, and perform the following steps on a workbench or tabletop.

- Using the mount plate as your template, locate and mark screw holes.
- Using 3/16" (2.5mm) bit, drill pilot holes in selected locations.
- Using provided mounting screws and lock nuts, carefully secure the mounting plate (Note: as shown in Figure 3 to the right). Backer plate should be mounted on the underside of the vehicle surface to provide adequate support to **Farkle Mount** when in use.

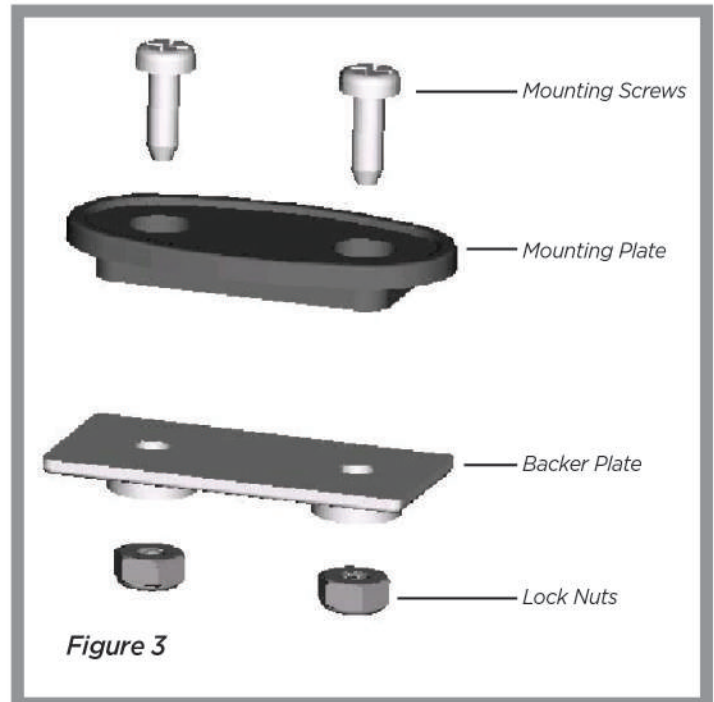
Thank you for choosing the **Farkle Mount**. The first product specifically designed to help you keep your eyes on the road.

### What's Inside:

- **Farkle Mount** and mounting hardware
- Mounting plate stickers
- User & installation guide
- Warranty registration card



Please review the terms and conditions. Rider assumes all risk when using this product.



This product is proudly fabricated and packaged in the USA.

